

REVISION CHECK

GRADE 7 MATHS 2

MATHEMATICS PAPER 2

20 AUGUST 2020

TIME: 2HRS

INSTRUCTIONS TO CANDIDATES

- a) Answer all questions on a separate sheet.
- b) Show all your working.

SECTION A : [25 MARKS]

Answer all questions.

1. Write 389,46 in words [1]
2. Express $\frac{2}{5}$ of a 2 decades in years. [2]
3. In four tests Chipu got 69%, 54%, 77% and 68%. What was his average mark [2]
4. What is $\frac{2}{3}$ of 8 hours 3 minutes? [2]
5. $5\frac{1}{2} + 1\frac{1}{5}$ [2]
6. What is the value of the first 6 in 666 666? [2]

7. If the perimeter of a square field is 640m, find its area. [2]
8. Calculate $38,07 \div 0,9$ [2]
9. How many times greater is the first 2 than the second 2 in 624 523? [2]
10. A tube has a length of 8m and a circumference of 6m. Find its area. [2]
11. The cost of a new bicycle is \$50. If the buyer sells the bicycle for \$60. What is the percentage profit? [2]
12. $\frac{3}{4}$ of a number is 36. What is the number? [2]
13. A choir of 50 singers has 18 male voices. The rest of the singers were females. Express the number of males and females as a ratio in its lowest term . [2]

SECTION A : [15 MARKS]

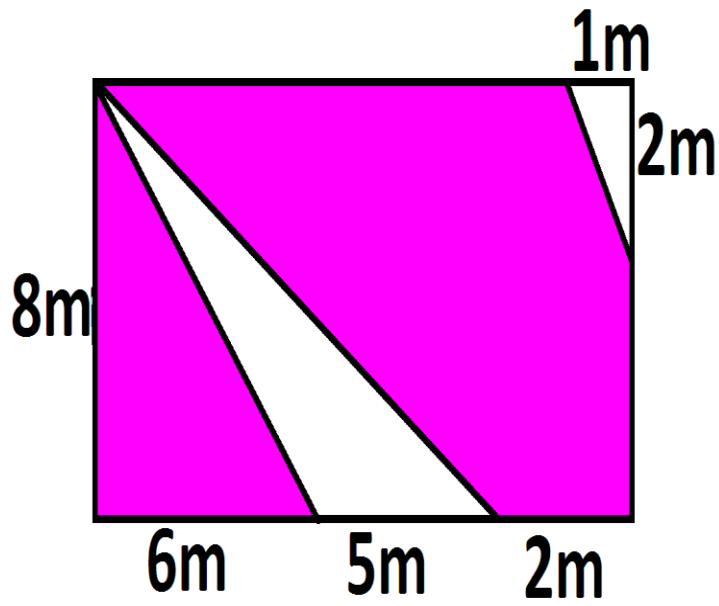
There are **five questions** in this section. Answer any **three questions**.

14. The marked price of wardrobe is \$960. It can be bought by paying 30% deposit and the balance in 12 equal monthly installments.
 - (a) What is the deposit paid? [2]
 - (b) Calculate the monthly installments. [3]

q

15. The total mass of a car with four people in it is 1 645kg. The lightest person is 6kg lighter than the other three. The three are 55kg each.
 - a) What is the mass of the car [3]
 - b) What is the mass of the lighter person? [2]

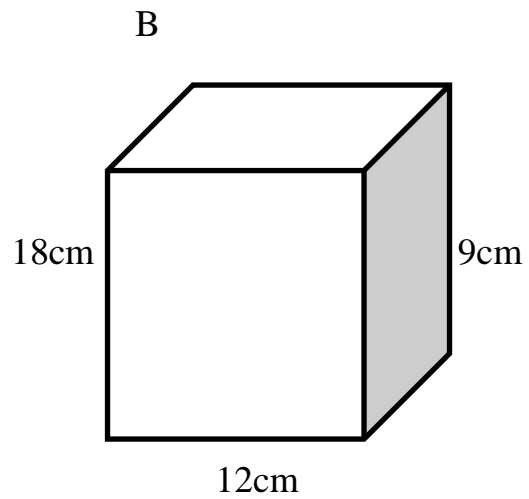
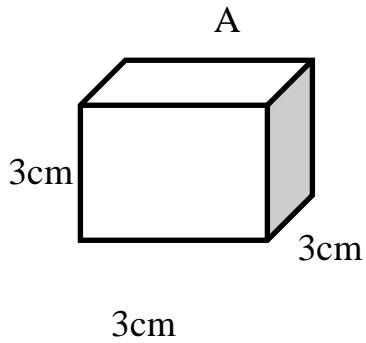
16.



(a) Find the area of the unshaded part. [2]

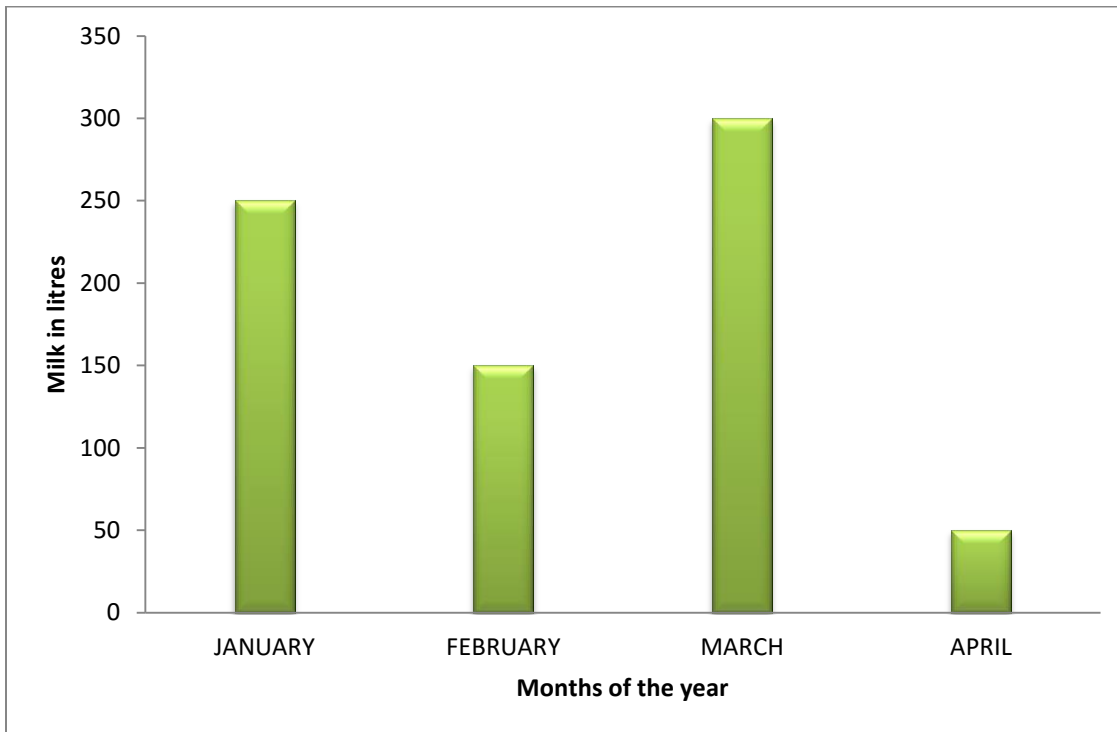
(b) Find the area of the shaded part [3]

17.



- a) What is the volume of shape A? [1]
- b) What is the difference between the volume of A and volume of B? [2]
- c) How many boxes of size A will get into box B? [2]

18. The graph shows milk produced by dairy cows at a farm in a period of four months.



- (a) In which month did the dairy cows produce the highest amount of milk?
[2]
- (b) Calculate the average amount of milk produced in the four months.
[3]