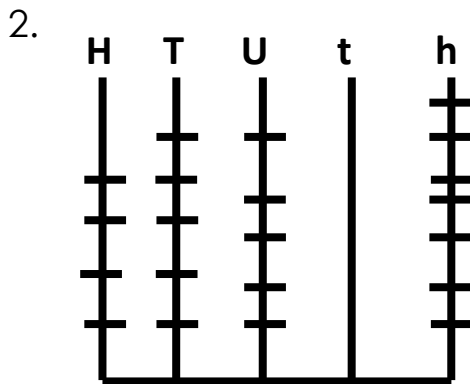


1. Twenty six thousand in numerals is.....  
 A 26 000                      B 1 026                      C 2600                      D 2,60



The picture above shows.....

- A 45,507                      B 4 5507                      C 455,07                      D 4557

3. Which of these numbers is an ordinal number?

- A twenty                      B 20<sup>th</sup>                      C 20                      D 0.2

4.  $\frac{6}{10}$  as a decimal is.....

- A 0,6                      B 3,5                      C 5,3                      D 6,0

5. 27,461 to correct two decimal places is

- A 27,46                      B 27,0                      C 27,5                      D 20

6. The value of the underlined digit in 13, 539 km is.....

- A 0,03                      B 0,003                      C 0,300                      D 0,0003

7. What is 130,08 metres in centimeters.....

- A 138                      B 1308                      C 1380                      D 13008

8. In  $100 - n = 41$ , The value of n is.....

- A 49                      B 59                      C 69                      D 141

9. From 14 take away 6,125.....

A 6,111      B 6,139      C 8,125      D 7,875

10. The product of 9 and 4 is.....

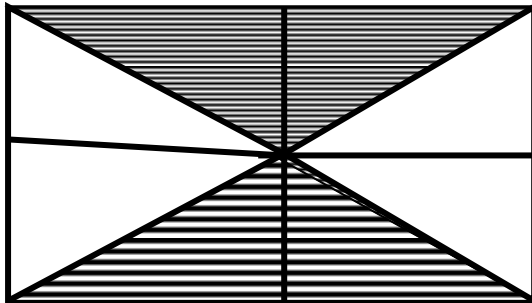
A 13      B 36      C 94      D 5

11.  $72 \div 8 = 9$ . What is nine?

A quotient    B divisor    C dividend    D multiplier

12. What fraction is shaded?

A  $\frac{4}{10}$       B  $\frac{1}{2}$       C  $\frac{8}{4}$     D  $\frac{4}{4}$



13.  $(10^5 \times 7) + (10^3 \times 4) + (10^2 \times 5) + (10^0 \times 6) =$

A 7 456      B 70 456      C 704 560      D 704 506

14. 1.24pm in international notation is.....

A 0124hrs    B 1324hrs    C 1224      D 124hrs

15.  $0,7 \times 0,4 =$  A 28    B 2,8    C 0,28      D 0,028

16. What is the cost 7 metres of cloth if 1m costs \$2?

A \$14      B \$9      C \$2,70      D \$5

17. Rainfall is measured in.....

A m      B mm      C cm      D km

18.  $1,2 \div 0,06 =$  A 0,02    B 0,2    C 2      D 20

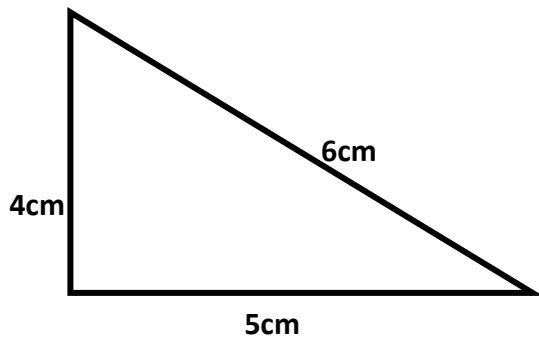
19. One forty night is .....days

A 10      B 5      C 7      D 14

20. Twenty dollars is equal to two \$......notes

A 10      B 5      C 2      D 1

21. The triangle below is a.....



- A right angled triangle    B equilateral  
C isosceles                    D scalene

22. A shape that has six sides is a.....

- A quadrilateral    B pentagon    C hexagon    D octagon

23. The sentence  $32-8-8-8-8=0$  can be written as.....

- A  $8\div 32=4$     B  $32\times 8=0$     C  $32\div 8=0$     D  $32-32=0$

24. The sum of two numbers is ten. One number is 4,5. What is the other?

- A 5,5    B 4,5    C 14,5    D 45

25.  $13+4-9=$

- A 17    B 5    C 21    D 8

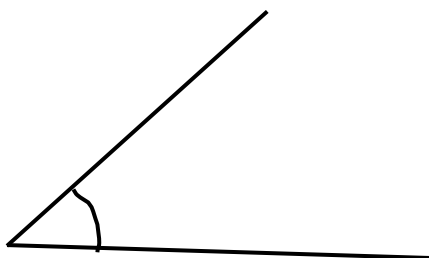
26. Tadiwa buys a radio for \$53,50. She pays with three \$20 notes. What change does she get?

- A \$33,50    B \$73,50    C \$5,50    D \$6,50

27. The 2013 is in which century?

- A 20<sup>th</sup>    B 21<sup>st</sup>    C 22<sup>nd</sup>    D 23<sup>rd</sup>

28.



The angle shown is .....

- A acute                      B obtuse  
C reflex                      D right angle

29. 54 out of 72 as a rasion in its lowest terms is.....

- A 54:72      B 6:8      C 4:3      D 3:4

30.  $(10-3) \times 2 =$  A 14    B 7    C 4    D 6

31. CCXLVI in Arabic numerals is.....

- A 246      B 2 046      C 1046      D 266

32. The gross mass of a lorry is 6 tonnes. What is its total mass if it carries a load of 2,375 tonnes?

- A 8,375t                      B 4,375      C 4,625      D 3,625

33.  $1\ 000 - 999 =$

- A 100      B 1      C 0001      D 1001

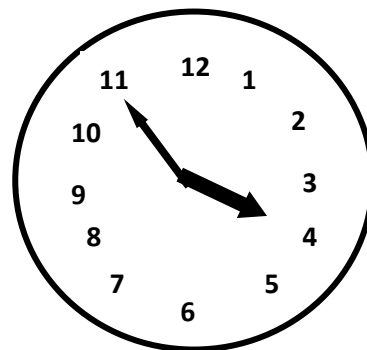
34.  $\frac{2}{3}$  of a number is 24. What is the number?

- A 24      B 12      C 36      D 48

35. The scale on a map is 1:500 000. What is the actual distance of the journey measuring 20 cm on the map.

- A 100km    B 10km      C 1km      D 2km

36. The time shown on the clock is.....

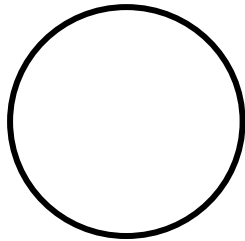


- A 3.10am    B 3.55 am    C 3.50am    D 0410 am

37. The sum of 4c, \$1,03 and 62 c is.....

- \$1,69      B \$2,05      C \$4,65      D \$5,65

38. The shape below has.....lines of symmetry?



- A 2                      B 4                      C no                      D many

39.  $\frac{3}{8}$  of a day in hours is.....

- A 3                      B 6                      C 9                      D 15

40. 850kg in tones is.....

- A 0,850                      B 8,500                      C 8,5                      D 85,0

41.  $1\frac{1}{2} + 2\frac{1}{4} + 1\frac{3}{5} =$

- A  $4\frac{7}{20}$                       B  $4\frac{17}{20}$                       C  $5\frac{7}{20}$                       D  $5\frac{17}{20}$

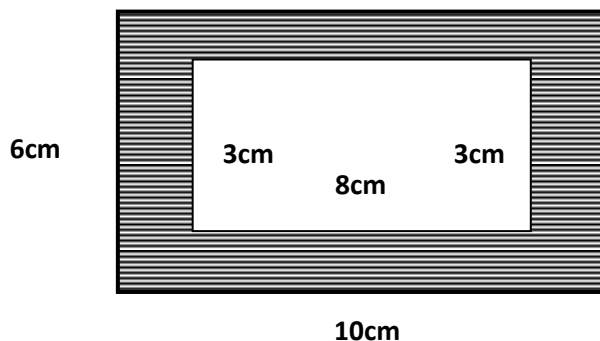
42. The average mass of 25 boys in a village is 23 kg. What is the total mass of the boys?

- A 48 kg                      B 465kg                      C 500kg                      D 575kg

43.  $\frac{2}{5}$  of a number is 18. What is  $\frac{1}{5}$  of the number?

- A 9                      B 18                      C 36                      D 45

44.

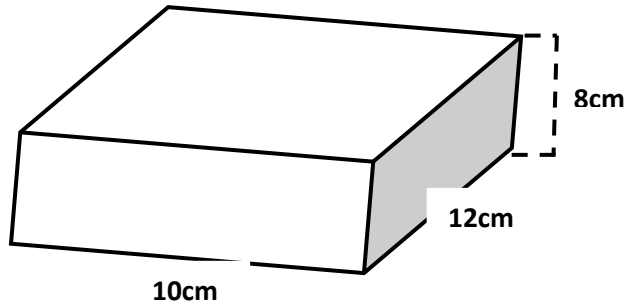


The area of the shaded part of the rectangle is.....

- A  $28\text{cm}^2$                       B  $44\text{cm}^2$                       C  $72\text{cm}^2$                       D  $36\text{cm}^2$

45.  $1\frac{7}{8} \times 3\frac{1}{5} =$                       A 2                      B 6                      C 4                      D 3

46.



What is the volume of the shape above?

- A  $96\text{cm}^3$     B  $960\text{cm}^3$     C  $690\text{cm}^3$     D  $69\text{cm}^3$

47.  $0,600 \div 0,003 =$

- A 0,002    B 2    C 20    D 200

48. The marked price of a pot is \$345,65. 85% discount is offered, the amount paid is.....

- A \$51,85    B \$17,40    C \$328,82    D \$362,88

49. The volume of water in a can is  $365\text{m}^3$ . A stone was placed and the volume rose to  $415\text{m}^3$ . What is the volume of the stone.

- A  $55\text{cm}^3$     B  $45\text{cm}^3$     C  $40\text{cm}^3$     D  $50\text{cm}^3$

50. What is the interest on \$1 500 at a rate of 2,5% per annum for 6 years?

- A \$225    B \$375    C \$1 725    D \$1 875