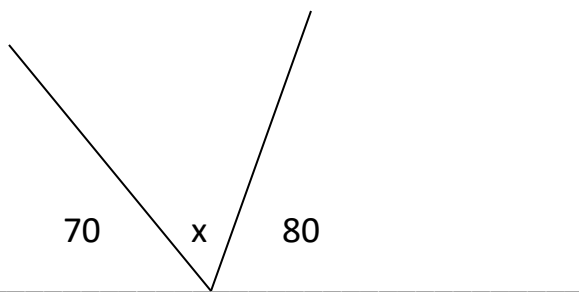


**RG MUGABE PRIMARY SCHOOL
GRADE 7 MATHS PAPER 2
MOCK EXAMINATION 2020**

Section A (25 marks)

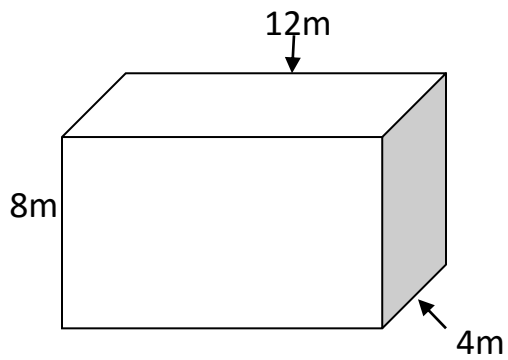
Answer all questions in this section.

1. a) Write 25 007 in words. [1]
b) Express $\frac{1}{4}$ as a decimal. [1]
2. a) $10^5 - 72\,649$ [2]
b) $5^5/6 \div 3^1/9$ [2]
3. A farmer put a 4 strand wire fence round his farm with sides measuring 1,734km, 0,538km, 1,207km and 0,916km.
 - a) Calculate the perimeter of the farm. [2]
 - b) What is the total of the wire used to fence the farm? [2]
4. A pedestrian travelled a distance of 6 km walking at an average speed of 8km/hr. Calculate in minutes, the time taken for the journey. [3]
- 5.

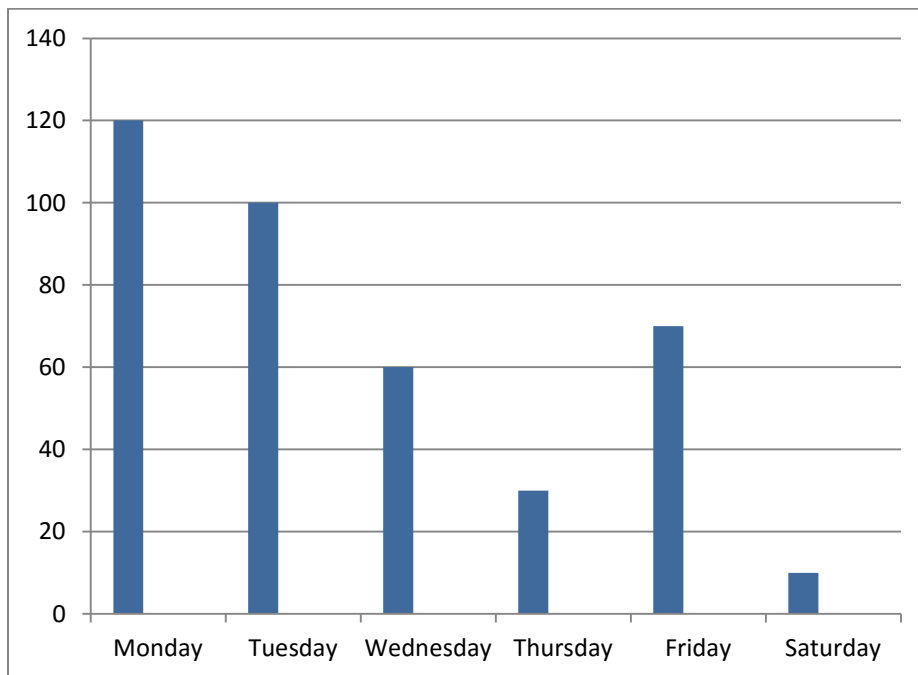


Name and calculate the angle marked x [3]

6.



- a) What is the area of the shaded part? [1]
- b) Calculate the volume of this shape. [1]
- c) Calculate the total surface area of the shape. [4]



7. The bar graph above shows the number of patients who consulted a doctor at Musami Hospital.

- a) Which day did most patients consult the doctor? [1]

- b) Calculate the total number of patients who consulted the doctor during the week [2]

Section B (15 marks)

Answer any three questions in this section.

8. The average height of 3 boys is 1,45m. if 2 of the boys have heights of 1,42m and 1,49m respectively;
- a) What is the total height of the 3 boys? [2]
- b) What is the height of the third boy? [3]
9. The cash price of a tractor is \$9 600. Mr Kamanga buys it under this hire purchase agreement;
- {i} 20% deposit of the cash price
- {ii} $17\frac{1}{2}$ % interest on balance
- {iii} Repayment to be made monthly for 2 years
- (a) How much was the deposit? [2]
- (b) How much were the monthly instalments? [3]
10. The perimeter of a rectangular garden is 192m. if the length is twice the width;
- a) What is the length of the garden? [1]
- b) What is the width of the garden? [2]
- c) What is the area of the garden? [2]
11. An employee earned \$400. He used $\frac{1}{4}$ of his money on food, $\frac{1}{2}$ on clothes and banked $\frac{1}{2}$ of the remainder.
- a) How much was used on food and clothes altogether? [2]
- b) How much was banked? [3]
12. Mr Dzomba, Mr Mukarati and Mr Jaravaza opened a business together. Mr Jaravaza provided \$ 3 000, Mr Mukarati \$4 000 and Mr Dzomba \$5 000.

- a) In which ratio should they share the profits? [2]
- b) If a profit of \$3 600 was made in the first year, how much should each one receive? [3]