

**RG MUGABE PRIMARY SCHOOL  
GRADE 7 EXAMINATIONS 2020**

**GENERAL PAPER  
PAPER 2**

**OCTOBER 2020**

**Time:1 hour 30 min**

**INSTRUCTIONS TO CANDIDATES**

**Section A**

Answer question **1** and any **two** other questions. Write your answers in the spaces provided on the question paper.

**Section B**

Answer any **three** questions. Write your answers in the spaces provided on the question paper.

**Section C**

Answer any **three** questions. Write your answers in the spaces provided on the question paper.

<b>FOR EXAMINER`S USE</b>	
<b>Section A</b>	
1	
2	
3	
4	
<b>Section B</b>	
5	
6	
7	
8	
9	
<b>Section C</b>	
10	
11	
12	
13	
<b>TOTAL</b>	

## Section A

There are **four** questions in this section.

Answer question **1** and any **two** other questions. Write your answers in the spaces provided on the question paper. [14Marks].

**1. Read the passage carefully and answer questions that follow.**

After completing my form 4, my father failed to pay for my A level. With my friends Rachel and Alice, we started drinking beer, smoking and harassing anyone we came across. One day we beat an old woman and robbed her of one hundred dollars. The other day we attacked two school girls who were going home from school. We were hiding behind a bush. Alice hit one of the girls on the head with an empty bottle of beer. As we went to search for money from the unconscious girl, I was shocked to notice that she was my young sister. Alice ran away and my young sister took her last breath.

- a. What commandment did the two friends break?  
\_\_\_\_\_ [1]
- b. Who hit the girl?  
\_\_\_\_\_ [1]
- c. Why did the writer fail to go to A level?  
\_\_\_\_\_ [1]
- d. What advice would you give to the writer and his friend when they need money?  
\_\_\_\_\_ [1]
- Total [4]

- 2.(a) What temptation did Jesus face in the wilderness?  
\_\_\_\_\_ [1]
- (b) How did Jesus overcome the Devil's temptation?  
\_\_\_\_\_ [1]
- (c) What is a steward?  
\_\_\_\_\_ [1]
- (d) How did Adam show stewardship in the Garden of Eden?  
\_\_\_\_\_ [1]

(e) Who killed his brother in the Garden of Eden?  
\_\_\_\_\_ [1]  
Total [5]

3. a. In Islam the period of fasting is called?  
\_\_\_\_\_ [1]

b. What do we call the rainmaking ceremony in African Traditional Religion? (1)  
\_\_\_\_\_ [1]

c. Who founded Judaism?  
\_\_\_\_\_ [1]

d. What do the Hindus call their festival of lights?  
\_\_\_\_\_ [1]

e. Which religion does not have converts?  
\_\_\_\_\_ [1]  
Total [5]

4. a) What do you call the time spent without eating for religious purposes?  
\_\_\_\_\_ [1]

b) How did Muhammad spend his time?  
\_\_\_\_\_ [1]

c) How do you spend your time wisely at school?  
\_\_\_\_\_ [1]

d) What extra ordinary thing took place at Cana?  
\_\_\_\_\_ [1]

e) What did the demons from Legion asked for from Jesus?  
\_\_\_\_\_ [1]  
Total [5]

## Section B

There are **five** questions in this section.

Answer any **three** questions in the spaces provided on the question paper. [15 Marks]

5. a. Give **two** things the white settlers promised Lobengula in the Rudd Concession.

\_\_\_\_\_ [2]  
\_\_\_\_\_

- b. Explain the term ‘**reconciliation.**’

\_\_\_\_\_ [2]  
\_\_\_\_\_

- (c) Name the first Zimbabwean black Prime Minister after independence?

\_\_\_\_\_ [1]  
Total [5]

6. a. State one form of wealth for a country

\_\_\_\_\_ [1]

- b. Why does Zimbabwe export some of its produce to other countries?

\_\_\_\_\_ [1]

- c. The natural fibre that produces linen is

\_\_\_\_\_ [1]

- d. What were the pyramids used for in Egypt?

\_\_\_\_\_ [1]

- e. Name any one border town that has developed into a holiday resort.

\_\_\_\_\_ [1]  
Total [5]

7. a. Someone who is trained for a particular job is a \_\_\_\_\_ worker.  
\_\_\_\_\_ [1]
- b. Give any one natural resource of Zimbabwe.  
\_\_\_\_\_ [1]
- c. Which medal is given to a competitor who comes second in Olympic Games?  
\_\_\_\_\_ [1]
- d. Which voluntary organisation helps those in need during the times of war and peace?  
\_\_\_\_\_ [1]
- e. N. G. O. stands for  
\_\_\_\_\_ [1]
- Total [5]

8. a. Name any disease that result from malnutrition?  
\_\_\_\_\_ [1]
- b. What does S.P.C.A. stand for??  
\_\_\_\_\_ [1]
- c. Why do staple foods differ from country to country?  
\_\_\_\_\_ [1]
- d. Give any two long term methods of preserving food?  
\_\_\_\_\_  
\_\_\_\_\_ [2]
- Total [5]

9. Study this picture and answer questions a - c.



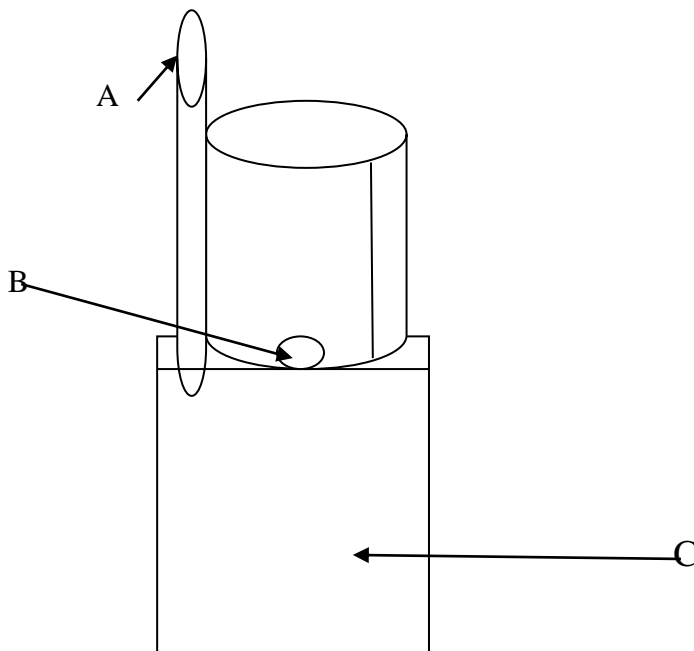
- a. What name is given to high rise buildings? \_\_\_\_\_ [1]
- b. State any two advantages of using this type of shelter.  
 \_\_\_\_\_  
 \_\_\_\_\_ [2]
- c. Give one factor that influences the type of shelter at any given given place.  
 \_\_\_\_\_ [1]
- d. Name any one seaport that Zimbabwe uses for its transport purposes.  
 \_\_\_\_\_ [1]
- Total [5]

### Section C

There are **four** questions in this section.

Answer any **three** questions in the spaces provided on the question paper.

10. Study the following diagram and answer the Questions:



- a. What is the name of the above toilet? \_\_\_\_\_ [1]

b. Which letter shows the squatting hole? [1]

---

---

c. Flies are trapped at the part with the letter [1]

---

d. Name one disease that is spread by mosquitoes [1]

---

e. What are Zoo noses? [1]

---

f. Complete the table below

	Group of animals	The food they eat
(i)	Herbivores	[1]
(ii)	Carnivores	[1]

Total [7]

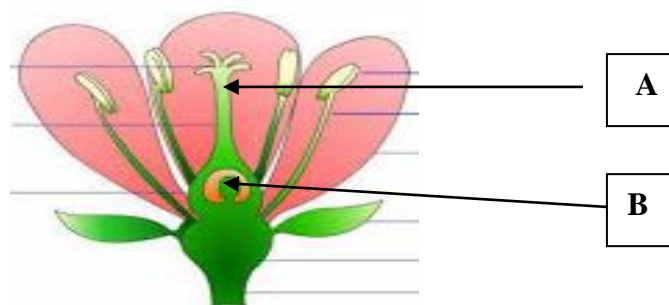
11. a. How do animals mark their territory? [1]

---

b. Pangolins, Rhinos and Pythons are fast disappearing. This group of animals is called

---

c. Study the diagram below and answer the questions.



Label the parts

A. \_\_\_\_\_ [1]

B. \_\_\_\_\_ [1]

d. Why should gum trees be planted away from water sources? [1]

---

e. What is afforestation?  
\_\_\_\_\_ [1]

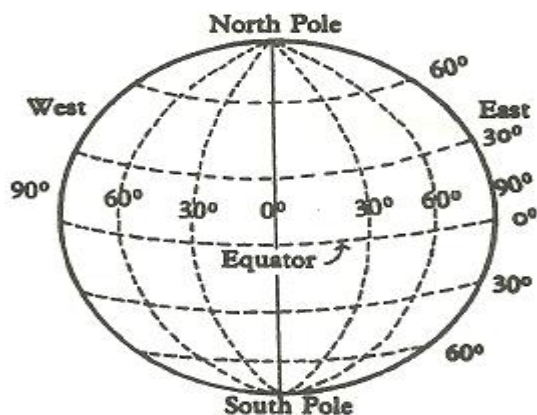
f. In transpiration water passes from soil up the stem and branches and out through  
\_\_\_\_\_ [1]  
Total [7]

12. a. What is altitude?  
\_\_\_\_\_ [1]

b. An instrument used to measure humidity is called  
\_\_\_\_\_ [1]

c. The highest mountain in Africa is  
\_\_\_\_\_ [1]

Study the diagram below and answer the questions that follow.



d. (i) What is the name of the  $0^{\circ}$  line that runs from North to South pole?  
\_\_\_\_\_ [1]

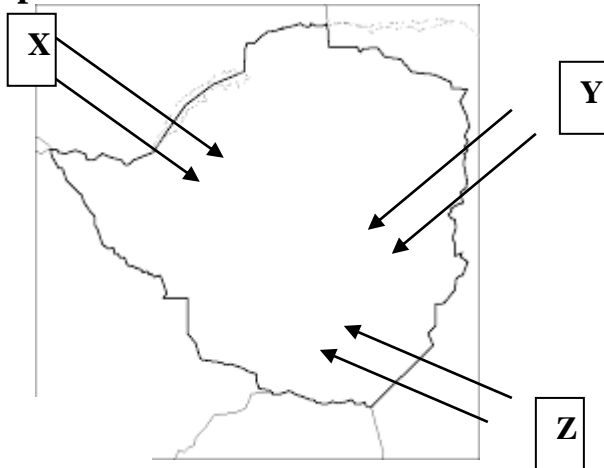
(ii) All lines that run from East to West are called  
\_\_\_\_\_ [1]

(iii) Name any one Tropic on the globe.  
\_\_\_\_\_ [1]

e. Name one neighbouring country to the west of Zimbabwe.  
\_\_\_\_\_ [1]  
Total [7]



13. The map of Zimbabwe shows the rain bearing winds.



13. a. Name the winds

(i) X \_\_\_\_\_

(ii) Y \_\_\_\_\_

(iii) Z \_\_\_\_\_ [3]

b. Which winds bring the heaviest rains to Zimbabwe? \_\_\_\_\_ [1]

c. What landform borders Zimbabwe and South Africa? \_\_\_\_\_ [1]

d. Where can friction be useful? \_\_\_\_\_ [1]

e. The earth's rotation around the sun on its axis causes \_\_\_\_\_ [1]

Total [7]