

PRACTICE PAPER 1

FOLLOW INSTRUCTIONS

Answer all questions in this section

1. Find the value of
 (a) $4\,789 + 82\,192 + 846 + 26$ [3]
 (b) $390 \div 26$ [2]

2. (a) $5\frac{1}{2} \div 1\frac{5}{6}$ [2]
 (b) Find the total of 5,4 ; 2 and 1,6 [2]

3. 45% of \$120 [2]

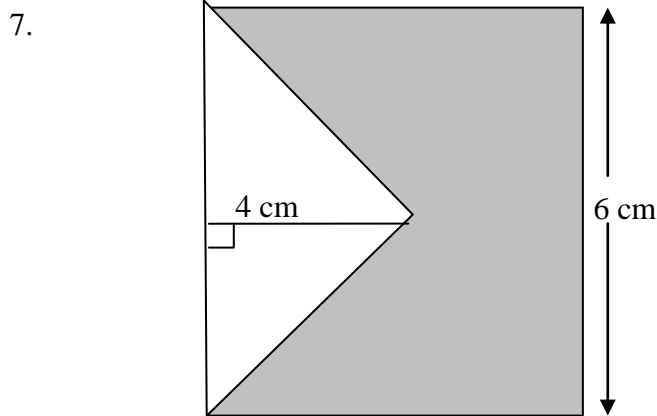
4. 0,625 expressed as a common fraction in its lowest terms is [2]

5. Bulawayo

\$ 186	Gweru			
\$ 265	\$ 70	Kwekwe		
\$ 335	\$ 150	\$ 81	Kadoma	
\$ 495	\$ 310	\$ 240	\$ 160	Harare

- (a) What is the fare from Kadoma to Kwekwe? [1]
 (b) Which is the most expensive trip on this route? [2]

6. The total distance a bus covers in 8 hours at an average speed of 80 km/hr is [3]



Find the area of the unshaded part. [3]

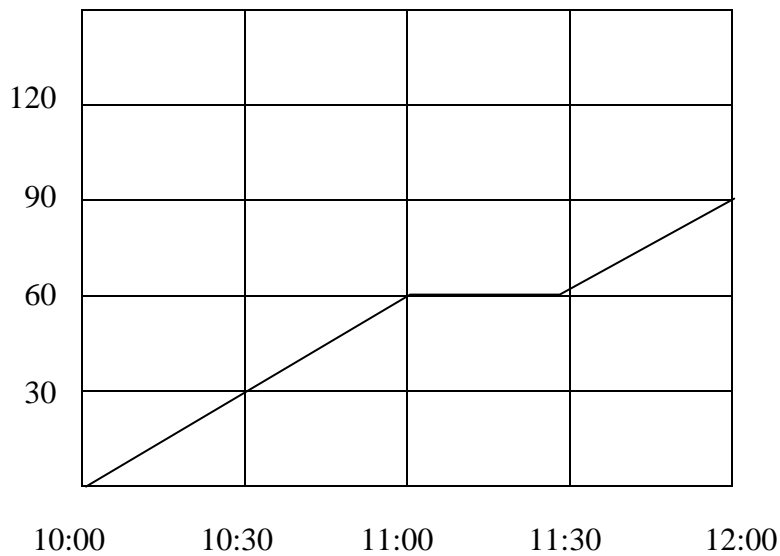
8. Mr Chiduku works for one third of each day for five days a week. He is paid \$ 15,40 an hour.
 (a) How many hours does he work in five days? [1]
 (b) What is his wage if he works for five days? [2]

SECTION B

Answer any three questions [15 Marks]

9. A dealer buys 40 axes for \$1 300 and sells them for \$1 800. What was
 (a) His profit on the whole deal [2]
 (b) The selling price of one axe [3]
10. A grade 7 class spent $\frac{1}{2}$ an hour doing Maths, $\frac{1}{3}$ of an hour reading and the rest of the hour singing. How many minutes did the class spend;
 (a) Doing Maths? [2]
 (b) Singing? [3]

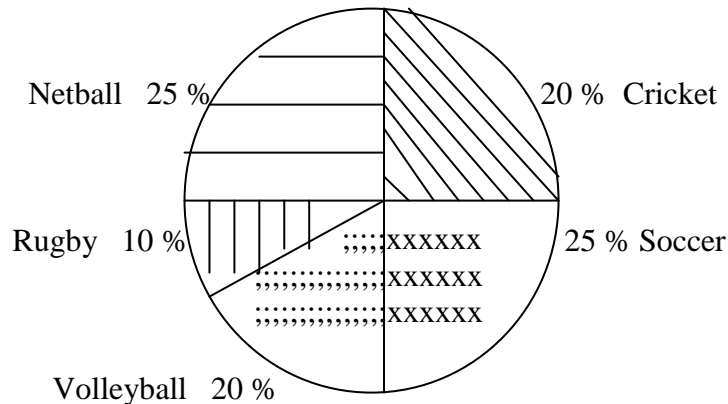
11. Distance Time Graph



Using the graph answer the following questions.

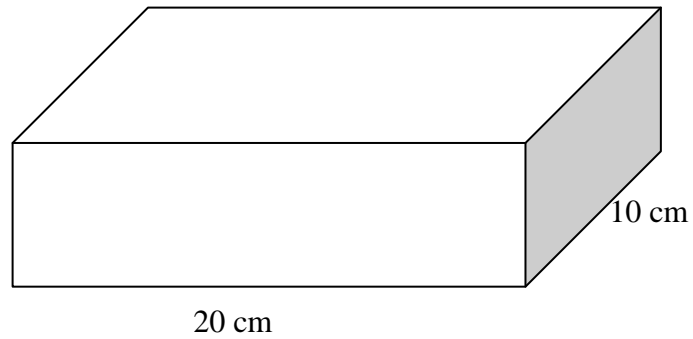
- (a) What was the motorist's speed between 10:00 and 11:00? [3]
 (b) For how long was the motorist resting? [2]

12.



Study the pie chart and answer the questions which follow.

13. (a) Which are the most popular sports in this class? [2]
(b) If there were 40 pupils in the class, how many liked netball and rugby? [3]



This box has a volume of $2\,000\text{ cm}^3$. The length is 20 cm and the width is 10 cm.

- (a) What is the formula for finding volume? [2]
(b) What is the height of this box? [3]